

2014-2-28

ZAJ310

EXPLOSION-PROOF BOX FOR SURGE PROTECTION DEVICE/POWER MODULE

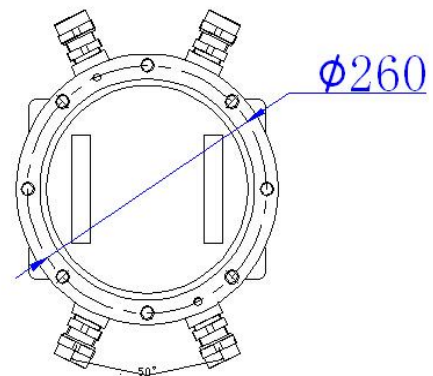
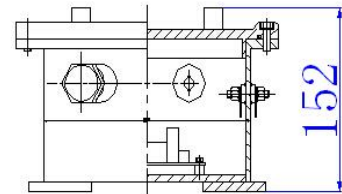
MAIN FEATURES

- Carbon Steel or stainless steel 304 or 316L
- optional corrosion resistant paint finish against deterioration
- IP68 rate
- With G3/4 , threaded holes for cable connection
- it's applicable for temperature -25°C-60°C (-13°F to 140 °F)
- Installation in outdoor, petrochemical, high corrosive environment.
- CNEX certificate no.:CNEx 13.2137
- can load surge protection kit, power converter kit, fiber optical transceiver



ZAJ310

Model	ZAJ310-S-A	ZAJ310-Q
Atmospheric pressure	80KPa~106Kpa	
Ambinet temperature	-25°C ~ 60°C (-13°F to 140 °F)	
Relative Humidity	≤95% (+25°C)	
Certifications	CNEX: Exd II CT6, DIP A20 TA, T6	
Ingress Protection	IP68	IP68
Overall dimension	Φ 260*152mm	Φ 260*152mm
Inner size	Φ88.5*53mm	Φ88.5*53mm
Material	SUS304	Carbon steel
ALL-IN ONE surge arrester	optional	optional
Fiber optical transceiver	optional	optional
Power converter kit	optional	optional
Weight	7.4kg	
Number of Threaded holes	4 holes	4 holes
threaded hole	G3/4	G3/4



specifications subject to change without notice.© ZUO AN all rights reserved.

skype: cookee.lee

tel +86-15295033359